



# INSTRUCTIONS FOR INSTALLING INTERNAL STABILIZERS/PILE GUIDES IN FLOATER

## PARTS REQUIRED

1. 1/2" STAINLESS STEEL HEX HEAD BOLT (8)
2. 1/2" STAINLESS STEEL FLAT WASHER (8)
3. 1/2" STAINLESS STEEL FENDER WASHER (8)
4. 1/2" STAINLESS STEEL LOCKNUT (8)

## INSTRUCTIONS

The internal stabilizer/pile guide is to be installed in the framed opening of the floating dock.

1. Mark locations to drill the holes for the bolts in the dock using **Figure 1** as a reference. Dimensions shown in **Figure 1** are approximate and may be adjusted for field conditions. Using a 9/16" drill bit, drill all the holes required. Mount internal stabilizer/pile guide to the floating dock using (8) 1/2" STAINLESS STEEL HEX HEAD BOLTS (length to be determined based on mounting location), (8) 1/2" STAINLESS STEEL FLAT WASHERS on top, (8) 1/2" STAINLESS STEEL FENDER WASHERS below, and (8) 1/2" STAINLESS STEEL LOCKNUTS. See **Figure 1**.

For more information contact:

[www.seapowermarineproducts.com](http://www.seapowermarineproducts.com)

843-884-5656

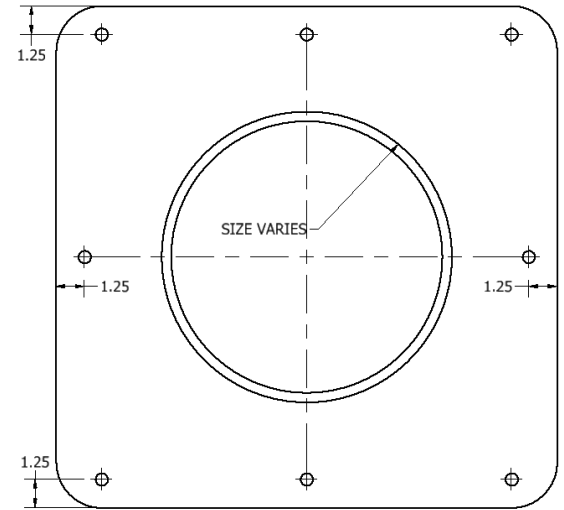


Figure 1