



GUIDELINES FOR INSTALLING FLOATING MODULAR CUBE SYSTEM FOR BOAT LIFTS ATTACHED TO DOCK

PARTS REQUIRED

1. SPMP FLOATING MODULAR CUBE STABILIZERS (1)
2. SPMP MODULAR CUBE SYSTEM POST (1)
*Note: Posts are available in 36" and 72" lengths and may be cut to fit your application.
3. SPMP SLIDE GUIDES (1)
4. FLOATING MODULAR CUBES – QUANTITY WILL DEPEND ON THE SIZE OF BOAT LIFT REQUIRED. COORDINATE WITH MANUFACTURER OF FLOATING MODULAR CUDE BOAT LIFT.
5. FIXED OR FLOATING DOCK WITH ENOUGH LENGTH TO ATTACH THE FLOATING MODULAR CUBE BOAT LIFT

Guidelines

1. The Modular Cube Stabilizers (Figure 1) are meant to be installed in place of a modular cube of the boat lift. See Figure 2.
2. Install Modular Cube Stabilizer(s) in boat lift. Coordinate location and quantity with modular cube boat lift manufacturer. A minimum of two Modular Cube Stabilizers are required per boat lift.
3. Install the SPMP Slide Guides onto dock (floating or fixed) to correspond with the Modular Cube Stabilizer(s). Align the center of the SPMP Slide Guide with the center mark for the SPMP Modular Cube Stabilizer. See SPMP Instructions For Installing Pile Slide/Guide for instructions on attaching the SPMP Slide Guide to the dock. In lieu of attaching a pile guide, an SPMP Modular Cube System Post will be installed in the SPMP Slide Guide.
4. Slide an SPMP Modular Cube System Post into each of the Modular Cube Stabilizers and secure to the SPMP Slide Guide per the SPMP Instructions For Installing Pile Slide/Guide. See Figure 3.
5. In high traffic areas it is recommended that the plate that sticks out beyond the slide guide be cut flush to the back of the slide guide.
6. Applications installed on fixed docks with will require a locking pin to be installed in the bottom of the SPMP Modular Cube System Post.
7. Purchaser/installer shall be responsible for determining the appropriate operable range (wake, tide, lake level, etc.) for each intended use site location.
8. For larger lift installations additional stabilizers are recommended. Call SPMP for additional information for custom installations.

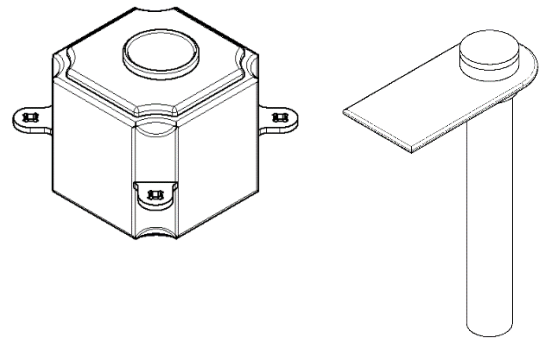


Figure 1 – Modular Cube Stabilizer (left) and Modular Cube System Post (right)

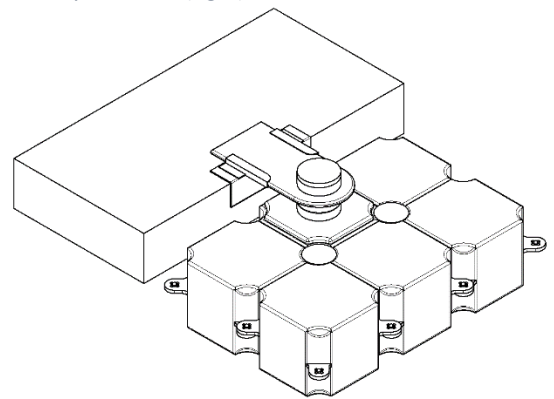


Figure 2

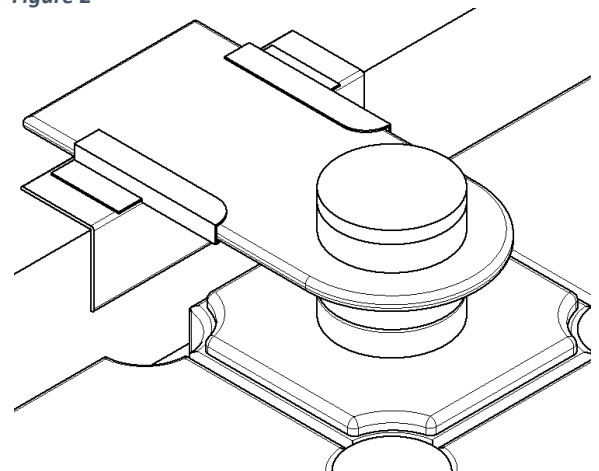


Figure 3

For more information contact:

www.seapowermarineproducts.com

843-884-5656

Patent Numbers

Boat Lifts: US 9,132,897; US 9,352,812; US 9,604,709; US 10,086,919; US 10,370,073

Pile Guides, Slide Guides and Stabilizers: US 10,267,003; US D828,746; US D828,747; US D828,747; US D837,041; US D826,702; 62/851,783; 29/699,280; 29/722,469; 29/723,576; 29/723,579

Floating Platform: 16/794,670

Modular Mooring Systems: US 10,822,063 B1; US D899,902 S

Trademarks :87/442,461; 5,788,367; 88/567,151

Rev. 4 - 01/29/21